

Features & Benefits

- Compact modular design with aluminum sheet metal case
- Silicone potting for improved thermal performance
- DMX512 RDM decoder, RDM function can realize intercommunication
- DMX512/RDM decoder with bidirectional communication between the DMX controller and decoder
- The RDM function allows configuration of the decoder address directly from the DMX controller console
- Five PWM output channels with common anode configuration. DMX channel modes from 1CH to 5CH
- Galvanic isolation
- Operating temperature: -40°C~+50°C

Programmable Feature:

- ◆ Device mode: Master and Decoder mode
- ◆ DMX Start Address
- ◆ DMX Mode : 8bit/16bit
- ◆ DMX Device Label
- ◆ Channel output: Enable/Disable
- ◆ Dimming curve gamma value from 0.1 to 9.9 settable
- ◆ Output PWM frequency from 500HZ ~ 35K HZ settable
- ◆ DMX address mapping
- ◆ Default brightness in no-signal mode
- ◆ Scene Number, Brightness level, scene speed
- ◆ Min Dimming Ratio
- ◆ OTP point

Safety Instructions



DO NOT install the device while power is applied.

Model List

Model Name	Rated Input Voltage	Max Output Power(Total)	Output Current /Channel	Output Current /Total	Dimension
DC-A1-384W5CH-DMX-PC	12-48VDC	384W max.	8A	8A	65*31*15.2 mm

Programming

The driver can be programmed through the programming port.

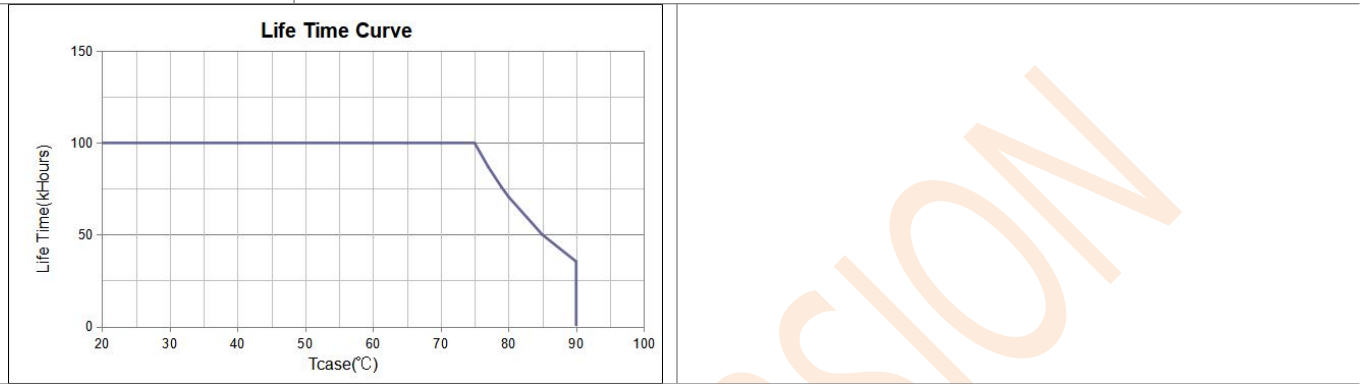
Programming software	"LUMIGEAR Programming Tool"	
Programming tool	"LUMIGEAR Toolbox"	
No.	Item	Default Setting
1	Device mode: Master and Decoder mode	Decoder mode
2	DMX Start Address	1
3	DMX mode: 8bit , 16bit settable	16bit
4	DMX Device Label	TBD
5	Channel output: Enable/Disable	Enable
6	Dimming Curve gamma value from 0.1 to 9.9 settable	1.0
7	Output PWM frequency from 500HZ ~ 35K HZ settable	16K Hz
8	DMX address mapping	1-5
9	Default brightness in no-signal mode	100%
10	Scene Number	0
11	Brightness level	8
12	Scene speed	1
13	Min Dimming Ratio	0.1%
14	OTP point	See "Protection" section
Programming Interface	PGT-USB-TPAC-A	
Programming cables	PGT-USB-M4P2	

Environment

Storage Temperature	T _{Storage}	Humidity: 5% RH to 95% RH	-40	-	+75	°C
Ambient Operating Temperature	T _a		-40	-	+50	°C
Max. Case Temperature	T _c	Hot spot on case			90	°C
Operating Relative Humidity	H _a	Non-Condensing	10		90	%
Acoustic Noise		Measured from 1 meter, at 100% and min light output.			24	dBA
Cooling	Convection Cooling					
IP environmental rating	IP20					
Environmental Rating	Dry and damp UL approved					

Others

Life Time	TLife	Full Load, 70°C case temperature,	50		kHrs
MTBF	TMTBF	Full Load, 25°C ambient temperature	200		kHrs
Net Weight	WNET			TBD	g
Warranty	5 Years Warranty at Tc ≤70°C				
Isolation	Input - Output: Non-isolated Input / Output- Control: 2500Vac				

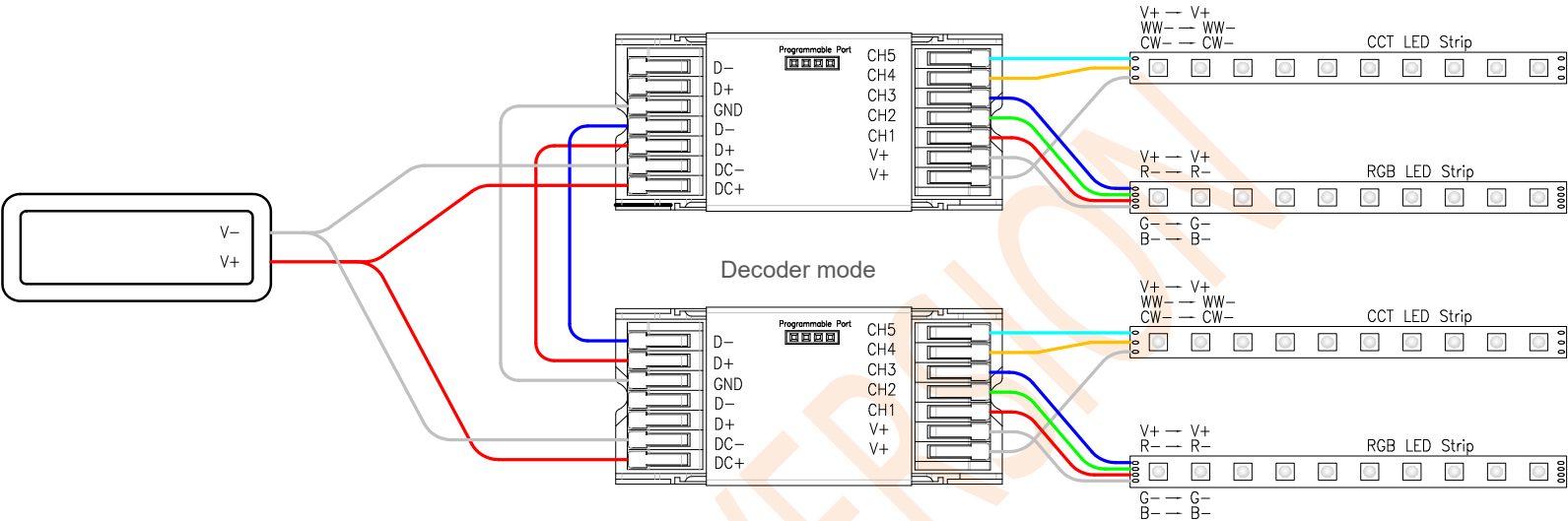


DRAFT VERSION

Wiring Diagram

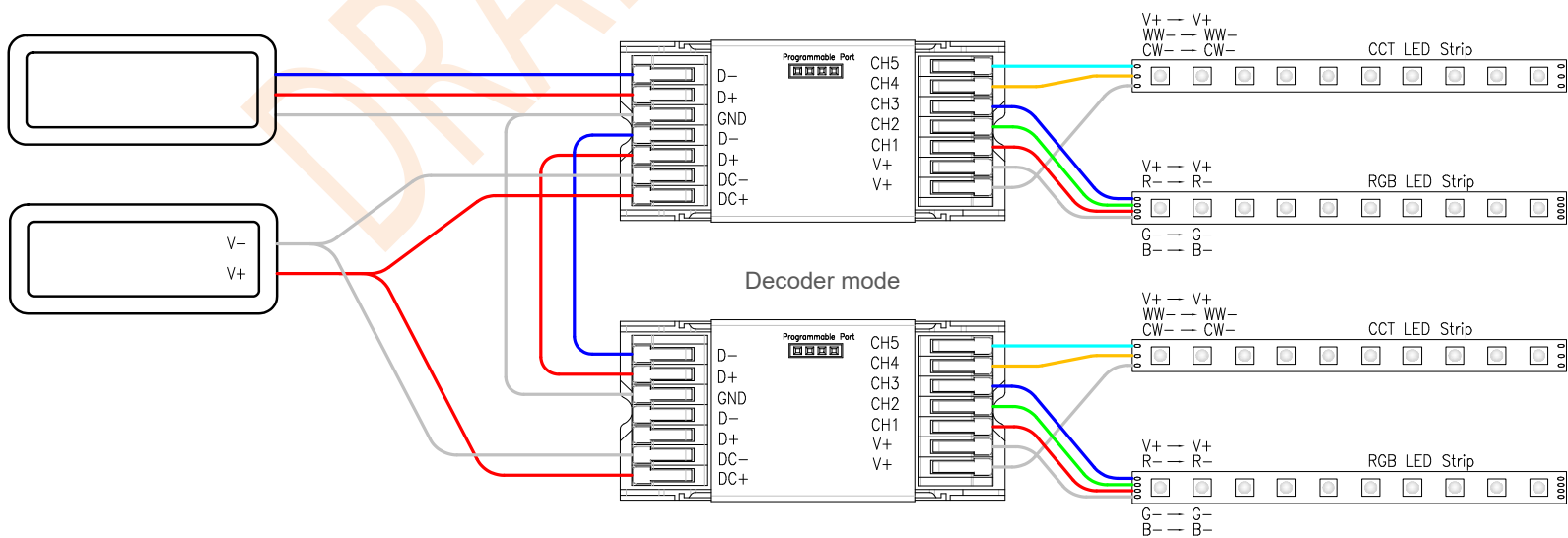
Work as Master mode:

Master mode



Work as Decoder mode:

Decoder mode



Mechanical Drawing:

Dimensions(Unit:mm)

Default tolerance:±1mm

